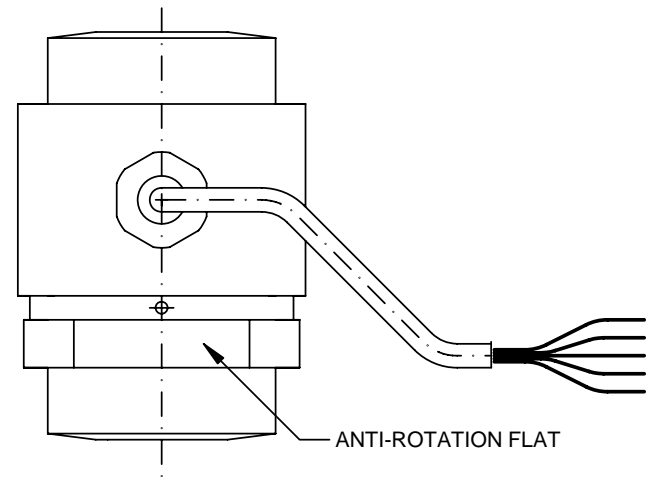
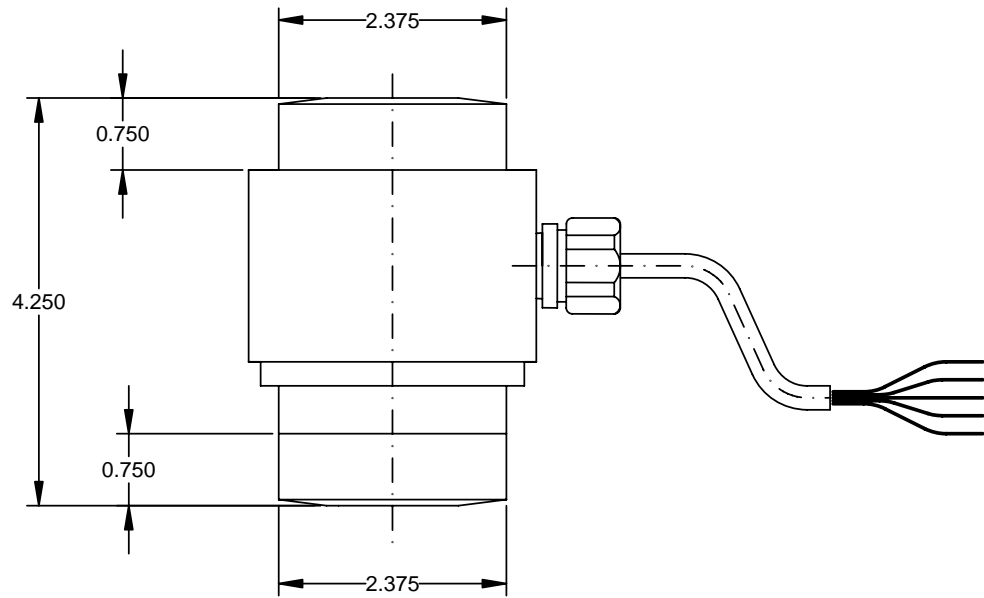


- (+) EXCITATION - RED
- (-) EXCITATION - BLACK
- (+) SIGNAL - GREEN
- (-) SIGNAL - WHITE
- SHIELD - ORANGE



CABLE: 30 FT 4 CONDUCTOR & SHIELD

SIGNAL: 2.0 MV/V @ FULL LOAD

COMPRESSION LOAD CELL - 20,000 LB CAP - GENERAL ARRANGEMENT



DATE: JAN 4/01

SCALE: HALF

DWG. NO: C01-20K-1

REV. DATE:

REV: 0