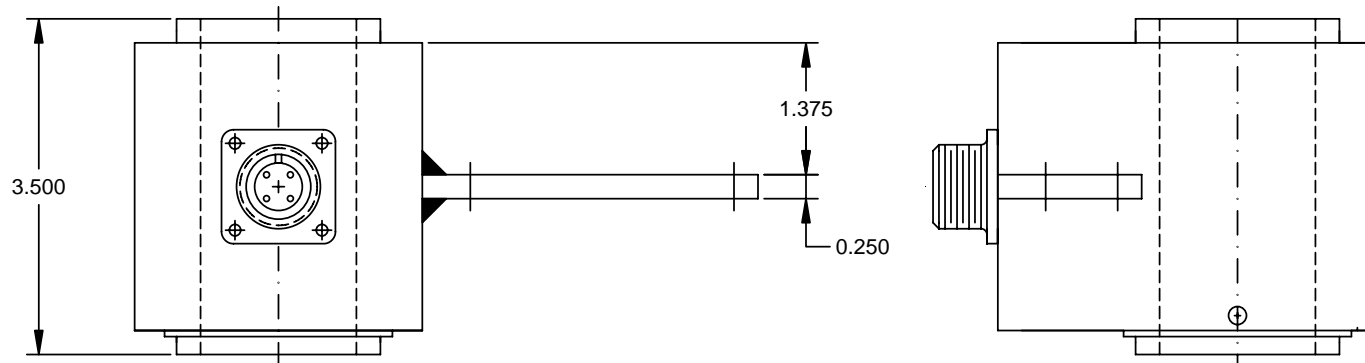


PIN # 1 (+) EXCITATION
 PIN # 2 (-) EXCITATION
 PIN # 3 (+) SIGNAL
 PIN # 4 (-) SIGNAL



CONNECTOR: MS3102A14S-2S OR EQUIVALENT

OUTPUT: 2 MV/V @ 30,000 LB

Reliable Scale Corporation

Reliable

PUMP JACK CELL - 30K- MIL STYLE CONNECTOR - GEN ARR

DIMENSIONS
IN INCHES

DATE:
AUG 7/01

SCALE:
HALF

DWG. NO:
C04A-30K-1

REV. DATE:

OCT 2/03

REV:
3