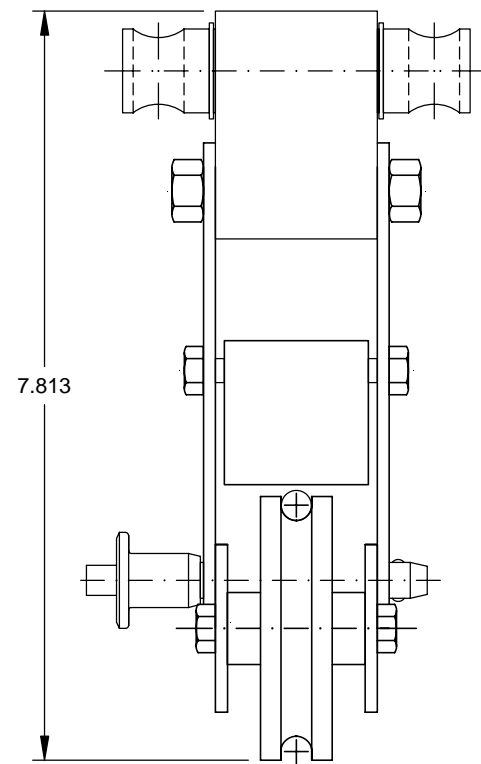


MS3101A14S-2S



Reliable Scale Corporation

WEIGHING HEAD FOR 7/32" TO 3/8" LINE - GENERAL ARRANGEMENT

Reliable

©COPYRIGHT

DIMENSIONS IN INCHES

DATE: NOV 21/05

SCALE: HALF

DWG. NO: FHE-G-1

REV. DATE: SEP 16/09

REV: 1