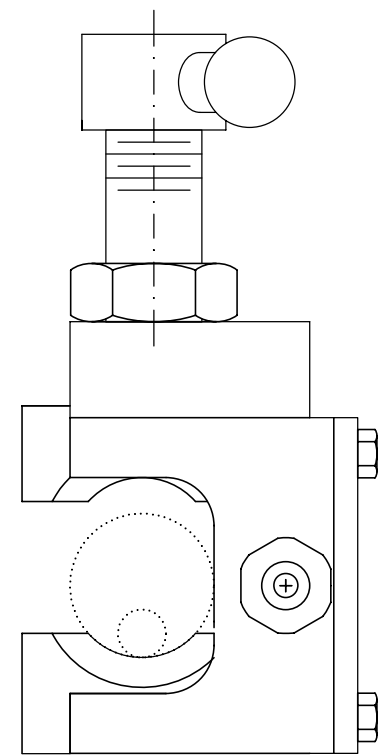
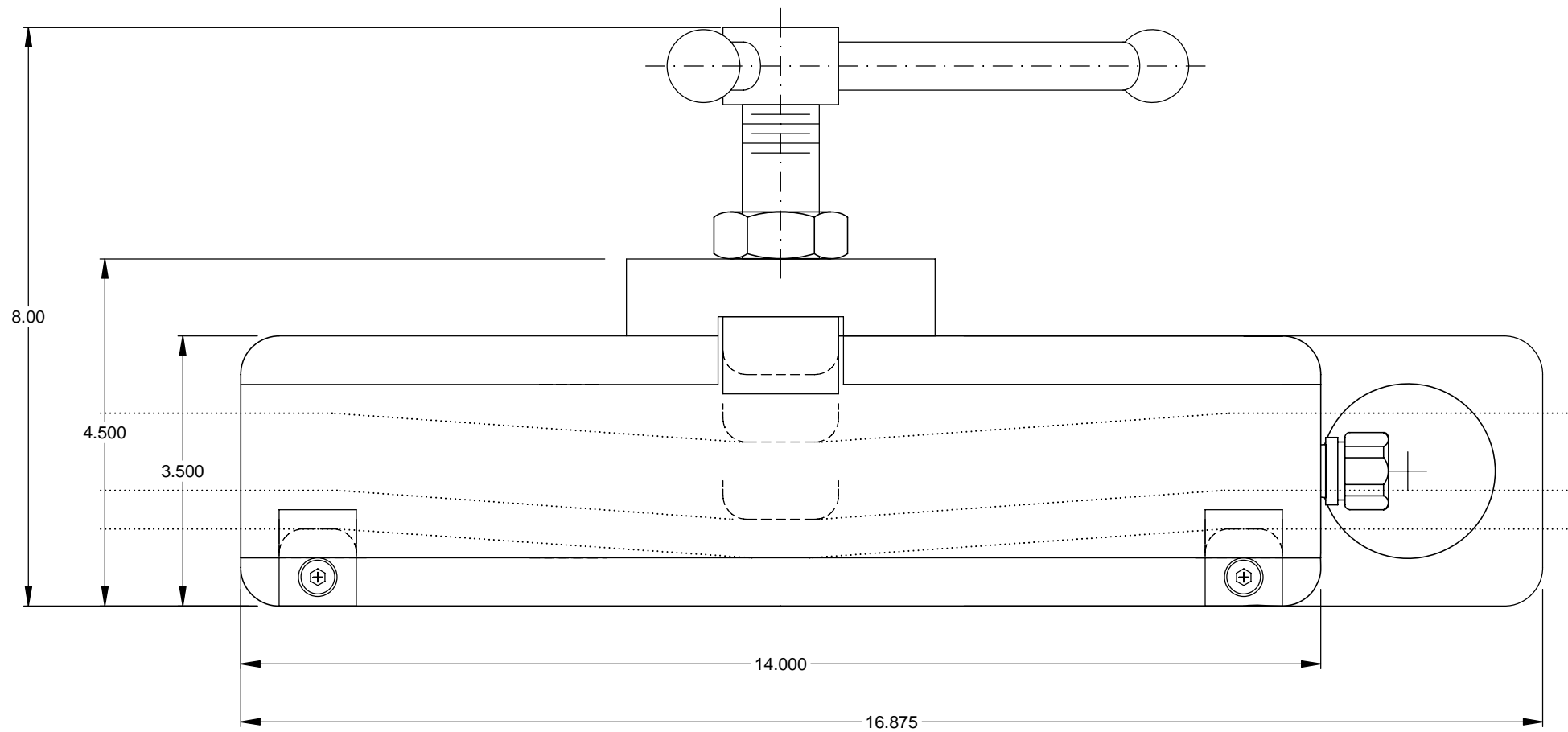


PIN OUT  
 PIN A - (+) 12 - 35 VDC SUPPLY  
 PIN B 4-20 mA OUTPUT  
 PIN C - CASE GROUND



CONNECTOR: MS3101A14S-2S W/O 4-20 SIGNAL CONDITIONER

CONNECTOR: PT01A12-3P WITH 4-20 SIGNAL CONDITIONER

**Reliable Scale Corporation**

LINE TENSION CELL - 150,000 LB PULL - GENERAL ARRANGEMENT

**Reliable**

©COPYRIGHT

DIMENSIONS  
IN INCHES

DATE:  
APR 12/10

SCALE:  
HALF

DWG. NO:  
FHE-LT-150K-1

REV. DATE:  
-

REV:  
0