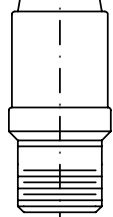
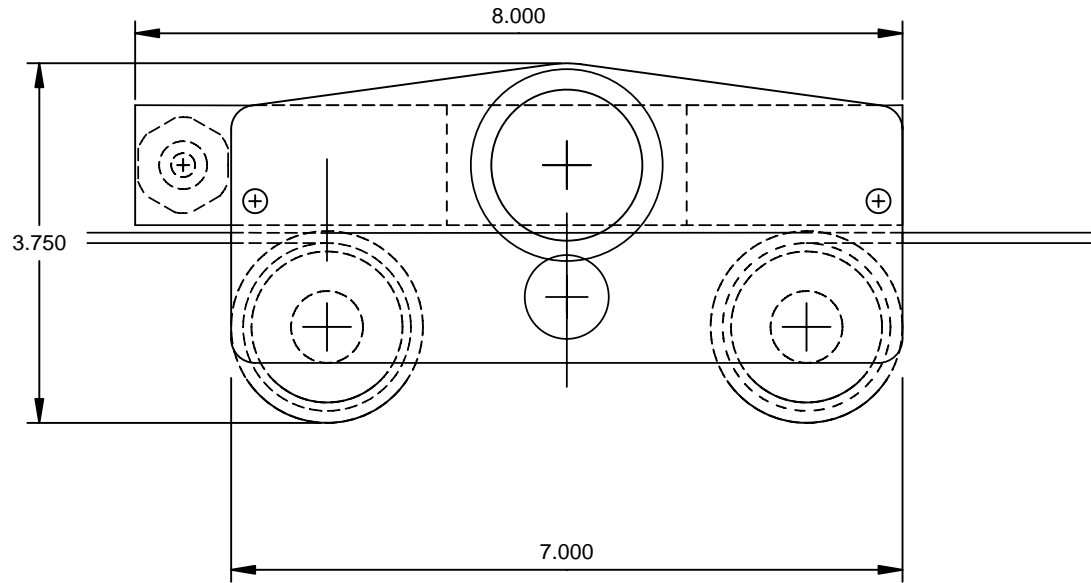
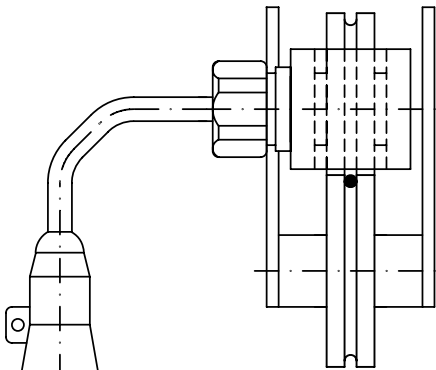
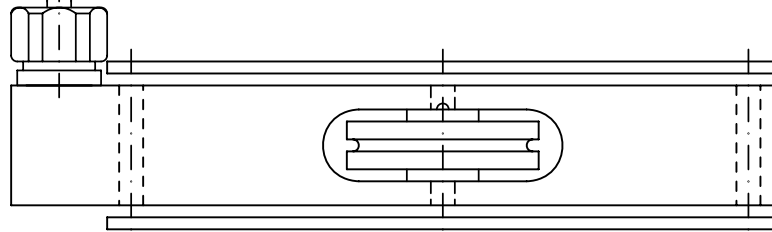
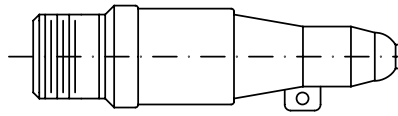


RSC PART NO: CBL-FHE-031

2 FT CABLE

DWG. NO:
FHE-M-1

REV
1



MS3101A14S-2S

FRANK HENRY M-TYPE SENSOR - GENERAL ARRANGEMENT



AUG 25/98	SCALE: HALF	DWG. NO: FHE-M-1	REV. DATE: NOV 21/05	REV: 1
-----------	----------------	---------------------	-------------------------	-----------