



Reliable Scale Corporation  
520 Moraine Road N.E.  
Calgary, Alberta, Canada T2A 2P2  
Tel: (403) 272-8784 1-800-419-1189  
Fax: (403) 273-9818  
E-mail: [info@reliablescale.com](mailto:info@reliablescale.com)  
Web: [www.reliablescale.com](http://www.reliablescale.com)

## Connecting Load cells/bars to a JR-4 or JR-4-B

The Reliable Scale Junction box has a terminal block connected to the indicator cable. There is a separate terminal block to connect the cables from the load cells/bars. Follow the color code labeled on the topside of the terminal block if you have full bridge (5 wires including the shield) load cells/bars. If you have a half bridge (4 wire including the shield) load cells/bars follow the color code labeled on the bottom of the terminal block.

The Junction box is also labeled LOAD BARS 1 & 3 and LOAD BARS 2 & 4. It does not matter which load bar is number 1 as long as the first bar installed is wired as 1, the second as 2, etc.

Reliable Scale Corporation Standard Color code is as follows:

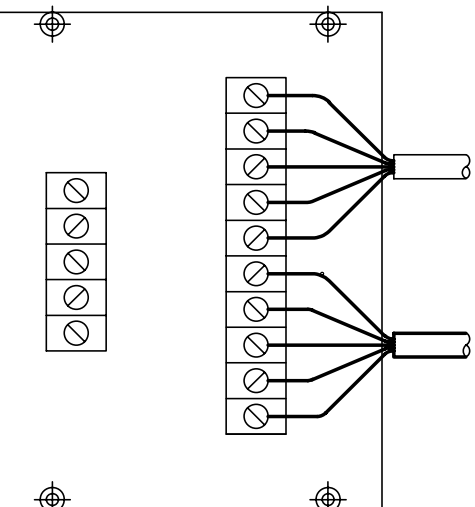
Red	=	+Excitation
Black	=	-Excitation
Green	=	+Signal
White	=	-Signal
Orange	=	Shield

Please note that other load cell manufacturers may not use this same color code.

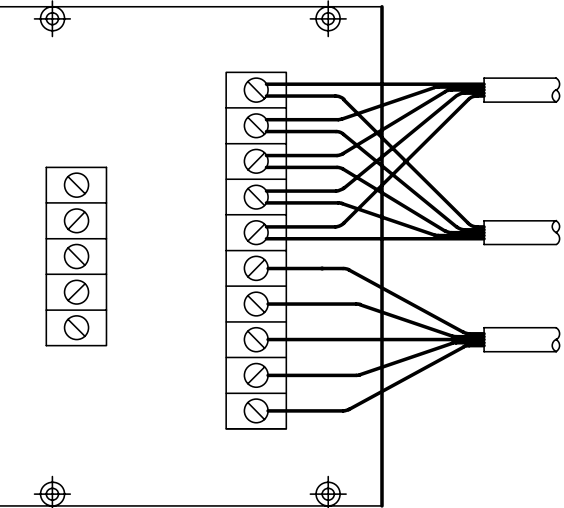
THIS DRAWING MAY NOT BE REPRODUCED IN ANY MANNER WITHOUT PERMISSION FROM RELIABLE SCALE CORPORATION

DWG. NO: JR-4 CON INST 140 REV:

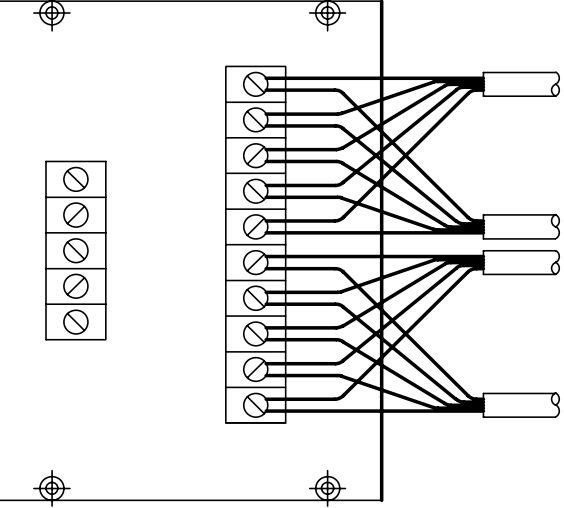
Two Load bars/cells



Three Load bars/cells



Four Load bars/cells



Reliable Scale Corporation



COPYRIGHT

DIMENSIONS IN INCHES

DATE:

December 23, 2003

SCALE:

FULL

DWG. NO:

JR-4 CON INST-4

REV. DATE:

REV: 0